

# **DISTO X2 WATERPROOF CASE**

Jean-Pierre **BARTHOLEYNS**

UIS Department of Karst and Cave  
Protection

UIS Adjunct Secretary

[jp.bartholeyns@gmail.com](mailto:jp.bartholeyns@gmail.com)

# SHORT STORY

## **DISTO X2 WATERPROOF CASE**

is an independent project manage by Stanislav ASENOV, a Bulgarian caver from Sofia.

The project was starting in 2015. Now it's a reality!

He is not associated with Leica Geosystems or any other vendor or their trademarks.

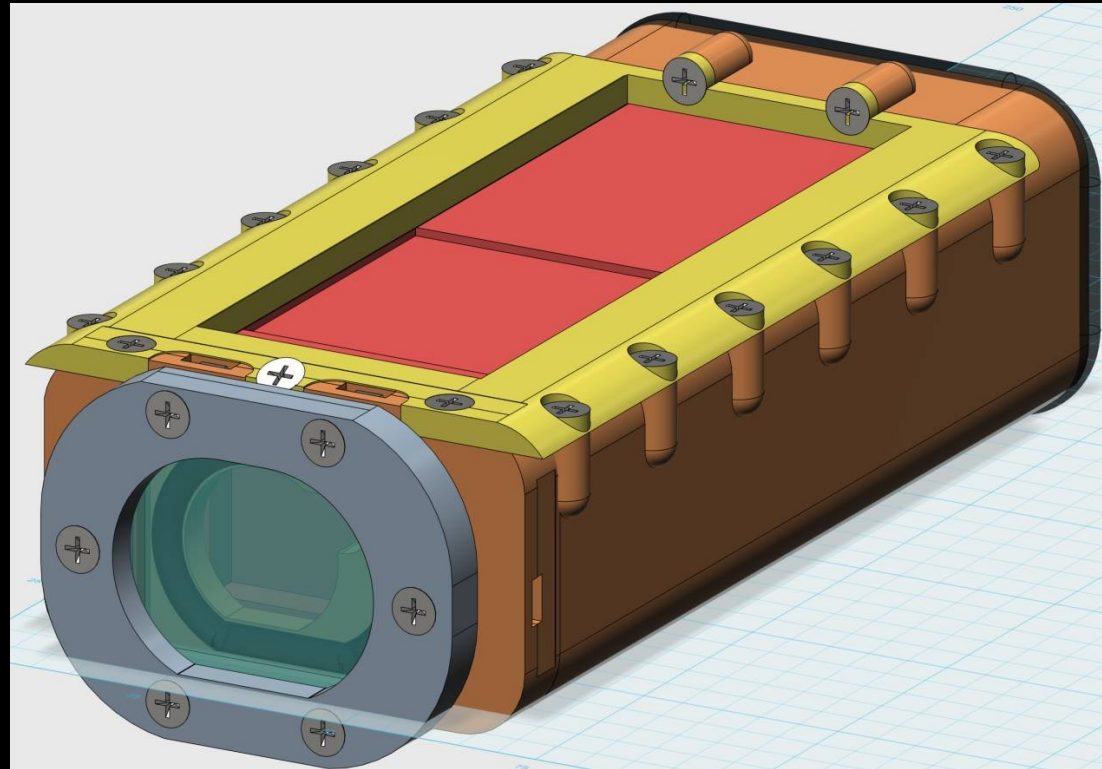


# DISTO X2 WATERPROOF CASE

DistoX2 Case project:

- 3D-printed ABS, brass,
- Waterproof – 10m,
- Shock-proof,
- Scratch-proof,
- Fully non-magnetic.

Built by covers  
specifically for cave survey.



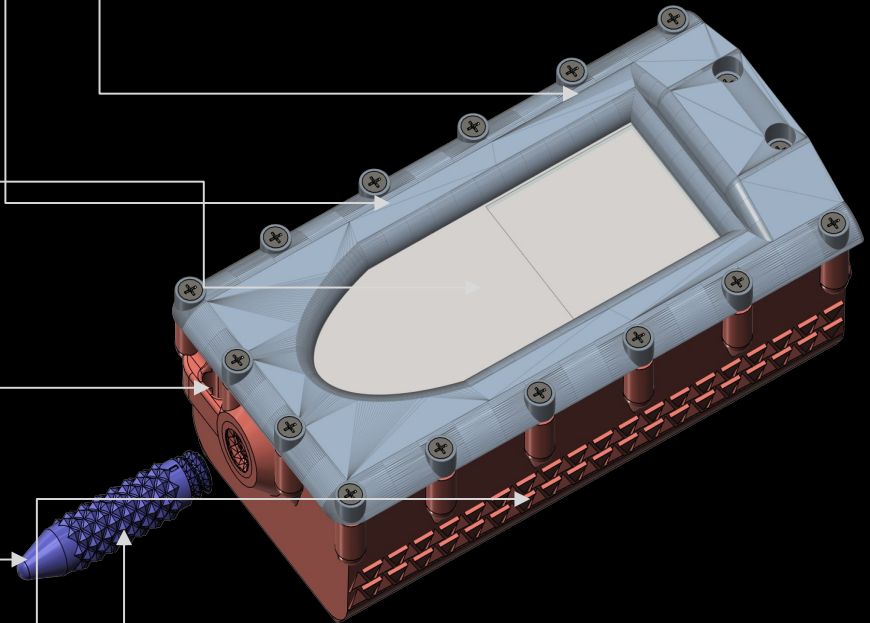
# MANY IMPORTANT FEATURES

- > Brass non-magnetic screws
- > O-ring top seal
- > Thick plastic cover for maximum protection

> 5mm lanyard/rope slot

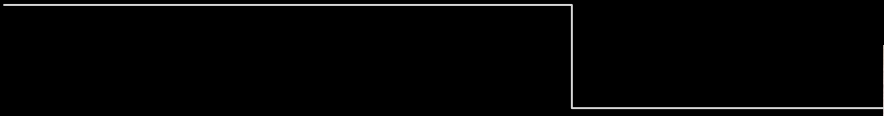
> Detachable extension stick

> Improved grip surfaces

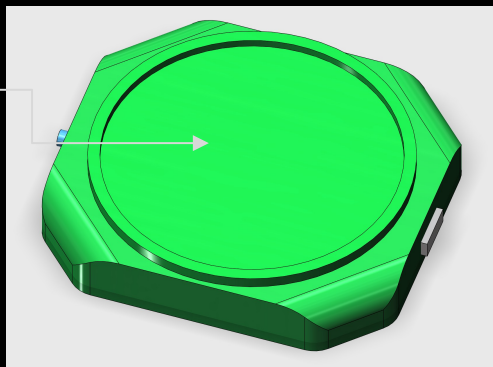


# MORE FEATURES

DIY kit



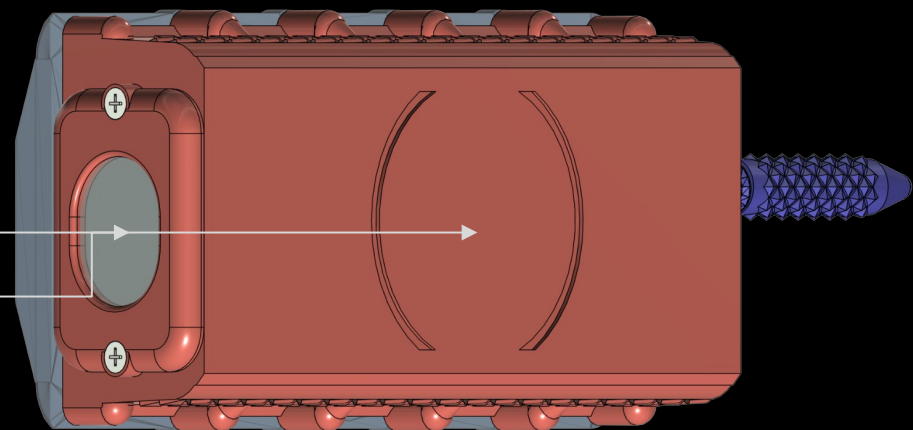
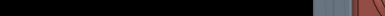
Wireless charger



3mm glass static front seal



Slot for wireless charging



# BLUETOOTH TRANSMISSION

Data can be directly transmitted  
by bluetooth

from the  
**DISTO X2 WATERPROOF CASE**  
to  
a tablet, a Pocket topo, a cellular  
phone



# WATERPROOF BOX: 10m VERSION AVAILABLE

- ▶ Pre-order, inquire,  
comment on Facebook:

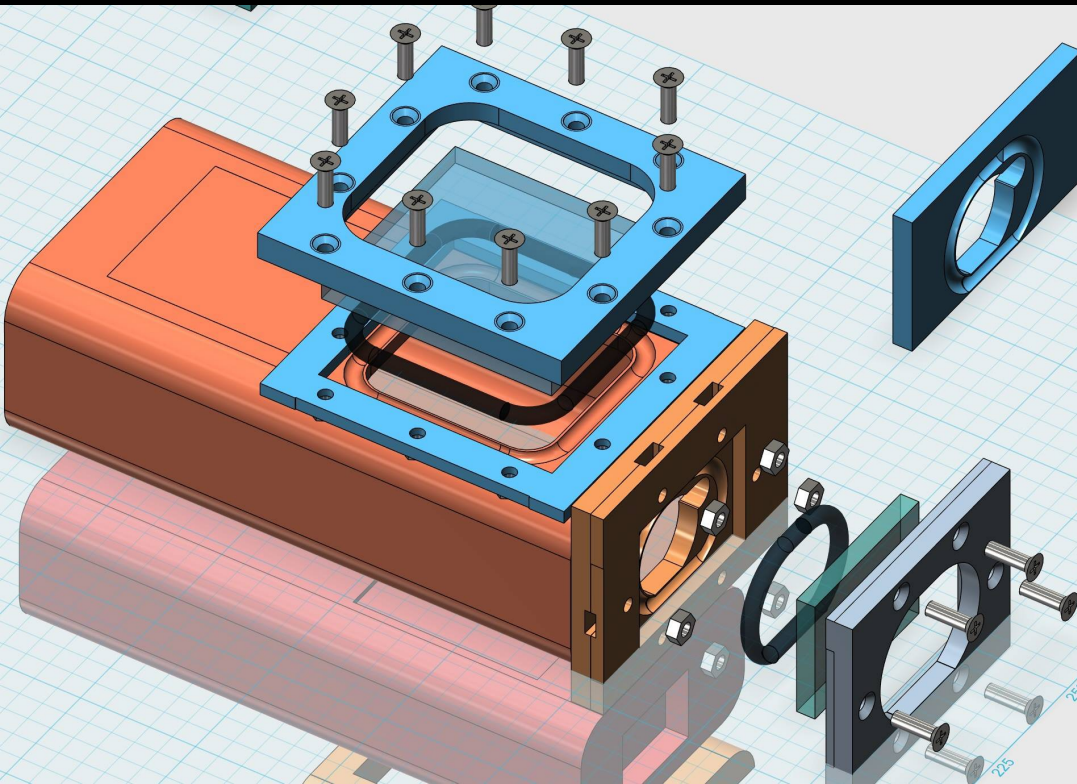
**@DistoX2Case**

Like, Share, Follow us

- ▶ Pre-order or contact via e-mail:  
**stanislav2003@abv.bg**



# DISTO X2 DIVING CASE IS BEING DEVELOPED



Project for creating a waterproof (10m/50m/250m) case for DistoX2 cave surveying device.